

# ROTO-CON® ROTARY PHASE CONVERTER

050412

For the majority of applications, ROTO-CON® is sized to the largest 3Ø motor (based on FLA rating) or TOTAL motor HP to be operated at one time. For some applications, however, it is recommended that the ROTO-CON® be oversized to operate correctly. For non-motor applications, it is necessary to know FLA rating of equipment and any +/- voltage requirements. If there are any questions which ROTO-CON® is required, please call toll free at 1-800-221-7665 for a recommendation.

**\*\*\*\*WHEN ORDERING, SPECIFY KVA RATING AND TYPE\*\*\*\***

TYPE 2P OR 2D-1 - 240 VOLT INPUT/240 VOLT OUTPUT

TYPE 4P OR 4D-1 - 480 VOLT INPUT/480 VOLT OUTPUT



## SECTION I - TYPE 2P AND 4P

CONVERTER SIZE	240V TYPE	480V TYPE	LARGEST 3Ø MOTOR HP	TOTAL 3Ø MOTORS HP	APPROX WT. (LBS)	1Ø FLA	
						@240V	@480V
2 KVA	2P	4P	1	2	65	10	5
4 KVA	2P	4P	2	4	66	20	10
6 KVA	2P	4P	3	6	72	30	15
10 KVA	2P	4P	5	10	101	48	24
15 KVA	2P	4P	7.5	15	125	72	36
20 KVA	2P	4P	10	20	198	96	48
30 KVA	2P	4P	15	30	254	135	68
40 KVA	2P	4P	20	40	386	180	90
50 KVA	2P	4P	25	50	387	225	113
60 KVA	2P	4P	30	60	418	265	133
80 KVA	2P	4P	40	80	448	350	175
100 KVA	2P	4P	50	100	497	440	220
120 KVA*	2P	4P	60	120	543	530	265

2 KVA - 50 KVA units supplied with 1 capacitor panel. 60 KVA and larger units supplied with 2 capacitor panels.

## SECTION II - TYPE 2D-1 AND 4D-1

For applications where a single motor with unusually high starting torque is required.

Also for applications with 3Ø electronics or resistive loads where tighter voltage tolerances are required.

CONVERTER SIZE	240V TYPE	480V TYPE	LARGEST 3Ø MOTOR HP	TOTAL 3Ø MOTORS HP	APPROX WT. (LBS)	1Ø FLA	
						@240V	@480V
8 KVA	2D-1	4D-1	7.5	8	199	42	21
12 KVA	2D-1	4D-1	10	12	255	54	27
16 KVA	2D-1	4D-1	15	16	388	70	35
21 KVA	2D-1	4D-1	20	21	392	90	45
28 KVA	2D-1	4D-1	25	28	418	120	60
35 KVA	2D-1	4D-1	30	35	454	150	75
42 KVA*	2D-1	4D-1	40	42	494	180	90

All 2D-1 / 4D-1 units are supplied with 1 capacitor panel.

It may be necessary to furnish auxiliary starting panels for better starting torque or additional running panels for better current balance. If either of these two problems are encountered, call Ronk. There are optional configurations available to meet your special needs. Call RONK for information and pricing.

\*120 & 42 KVA 364 frame units are not UL or CSA Listed

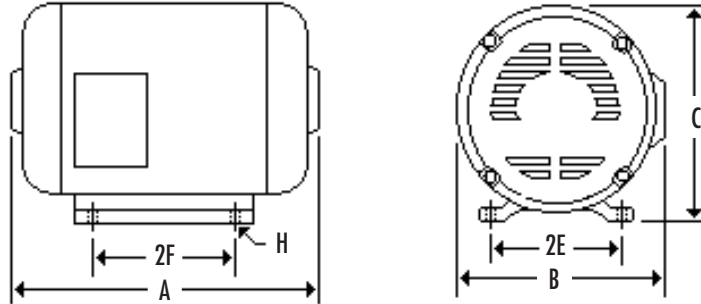
Sales Information: 1-800-221-7665



Service & Support: 1-217-563-8333

# ROTO-CON® ROTARY PHASE CONVERTER

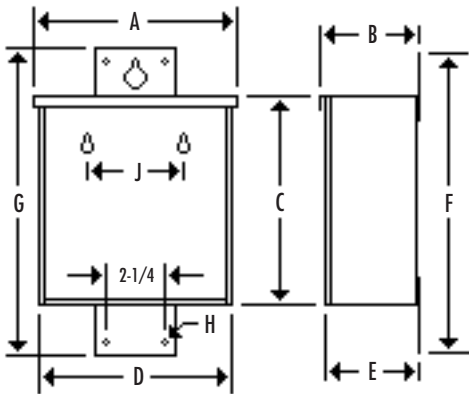
## DIMENSIONS OF ROTARY BASE AND PANEL CONTROL (Open Drip Proof Rotary)



KVA		FRAME	A	B	C	2F	2E	H	PANEL CONTROL ENCLOSURES			
2P/4P	2D-1/4D-1								2P	4P	2D-1	4D-1
2		182	11-1/2	7-7/8	8-7/16	4-1/2	7-1/2	13/32	600	600		
4												
6												
10		213	12-1/2	9-9/16	10-1/16	4-1/2	8-1/2	13/32	601	601		
15		215	12-1/2	9-9/16	10-1/16	6-1/2	8-1/2	17/32				
20	8	254	15-1/4	11-1/2	12	8-1/4	10	17/32	602	602	602	602
30	12	256	17-1/4	11-1/2	12	10	10	17/32	603			
40	16	286	19	13-1/4	13-5/8	11	11	17/32	603	602	603	
50	21											
60												
80	28	324	23-1/8	15-1/8	15-9/16	10-1/2	10-1/2	21/32	(2) 603	(2) 602	603	603
100	35	326	24-1/8	15-1/8	15-9/16	12	10-1/2	21/32	(2) 604	(2) 603	604	
120*	42*	364	24-1/8	15-1/8	16-9/16	11-1/4	14	21/32	(2) 605		605	

\*120 & 42 KVA 364 frame units are not UL or CSA Listed

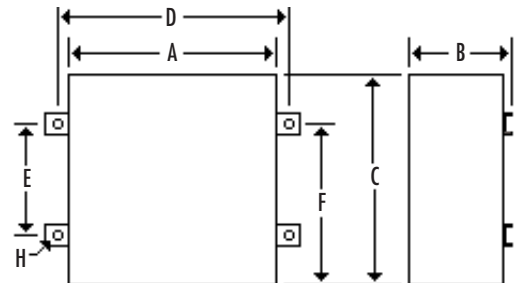
## DIMENSIONS OF NEMA 3R ENCLOSURES



ENCLOSURE	A	B	C	D	E	F	G	H	J
600*	9-1/8	5-1/4	10-1/8	8-1/4	5-1/8			3/16	6
601	12	6-1/2	12-7/8	11-3/8	6-1/4	17-1/4	16-1/8	9/32	
602	14-1/4	8-1/2	12-7/8	13-7/8	8-1/4	17-1/4	16-1/8	9/32	

\*Mounting tabs not available on 600 enclosure

ENCLOSURE	A	B	C	D	E	F	H
603	17	11	16-1/8	18	10	13	1/2
604	25-1/2	11	17-5/8	28	14-1/2	15-1/2	1/2
605	25-1/2	12	20-1/8	28	17	18	1/2



Sales Information: 1-800-221-7665



Service & Support: 1-217-563-8333